

## INTRODUCING: VALENT VX

### VALENT'S NEW DEDICATED OUTDOOR AIR UNIT

Valent VX packaged rooftop units are designed to meet the requirements of dedicated outdoor air applications and fit your budget.

#### THE VALENT ADVANTAGE

##### OUTDOOR AIR EXPERTS

- **All Valent units are designed to meet the challenging load requirements of high-outdoor-air applications** and include refined energy recovery and dehumidification options, tight and well-insulated casing construction, and sophisticated control sequences.
- **Valent has earned its expert status** with thousands of high-outdoor-air installed units.
- **Rely on Valent's specialized expertise** in the design, control, and support of high-outdoor-air units typically used in dedicated outdoor air systems (DOAS).

##### ROBUST DESIGNS

- **Quality components and multiple configurations**, which include inverter or digital scroll compressors, whisper-quiet condenser fans, energy recovery wheels, hot gas reheat, up to 16:1-turndown gas furnaces, hot water heat, chilled water cooling, and multiple duct connections.
- **Reliable operation.** Every Valent unit is energized and tested for 90 minutes before shipping. Dependable controls optimize operation using Valent's standard platform.
- **Sturdy, easy-to-maintain cabinets**, featuring 2" R-13 foam-injected double-wall casings, multiple access doors, space to properly maintain all components, and direct-drive plenum fans.

##### DEDICATED SUPPORT

- **We're there when you need us.** Valent's knowledgeable and available staff will guide you through design, installation, operation, and maintenance.
- **Experienced high-outdoor-air support.** Installing and operating a dedicated outdoor air unit can be more challenging than operating a standard rooftop unit. Valent's support staff has decades of HVAC and dedicated outdoor air experience.



A fresh look at outdoor air.

# VALENT UNITS AT A GLANCE

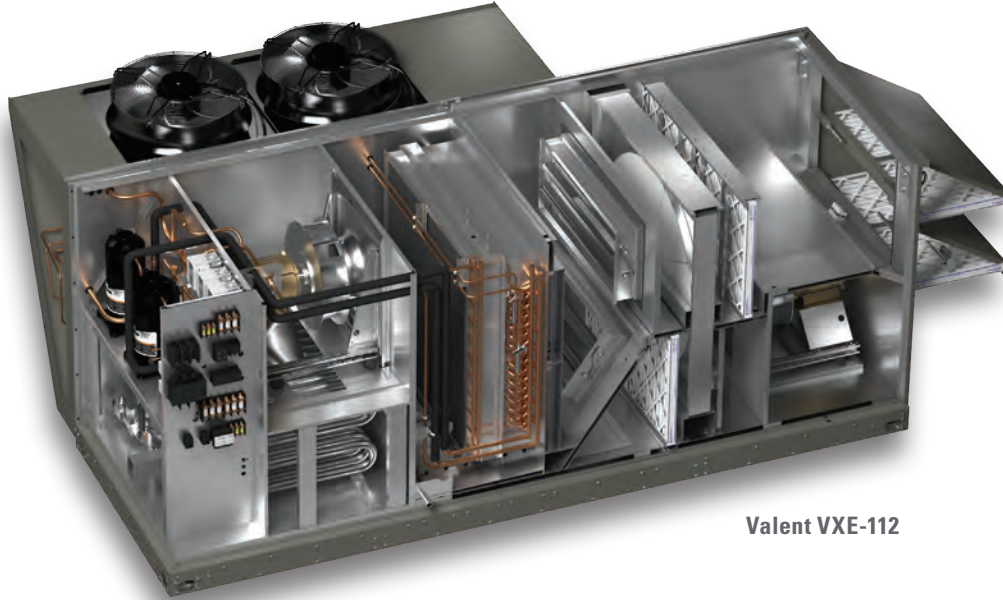
		VX, VXE CASING				VPR, VPRX, VPRE, VPRP, VPRC CASING									
		112		212		V10		110		210		310		352	
AIRFLOW	Minimum (cfm)	800		900		550		625		1,250		3,125		3,750	
	Maximum (cfm)	5,750		9,550		3,000		4,000		8,000		12,000		18,000	
COOLING TYPE: NOMINAL TONS, COIL ROWS	Packaged, air cooled	Tons	Rows	Tons	Rows	Tons	Rows	Tons	Rows	Tons	Rows	Tons	Rows	Tons	Rows
		5	2, 4	15	3, 5	4	3	5	4, 6	10	4, 6	25	4, 6	30	4, 6
		7.5	2, 5	17.5	3, 5	5	4	8	4, 6	13	4, 6	30	4, 6	40	4, 6
		10	3, 4	20	3, 6	6	4	10	6	16	4, 6	35	4, 6	50	4, 6
		12.5	3, 6	25	3, 6	7	4	—	—	18	4, 6	40	6	60	6
		15	3, 6	30	3, 6	—	—	—	—	20	4, 6	—	—	70	6
		—	—	—	—	—	—	—	—	25	6	—	—	—	—
	Split, air cooled <sup>a</sup>	Not available		Not available		Not available		5	4, 6	10	4, 6	25	4, 6	Not available	
		Not available		Not available		Not available		8	4, 6	13	4, 6	30	4, 6		
	Not available		Not available		Not available		10	6	16	4, 6	35	4, 6			
	Not available		Not available		Not available		—	—	18	4, 6	40	6			
	Not available		Not available		Not available		—	—	20	4, 6	—	—			
	Chilled water	—	4, 6	—	4, 6	Not available		—	4, 6	—	4, 6	—	4, 6	—	4, 6
	Water source heat pump	Not available		Not available		Not available		5	4	10	4	25	4	30	4
								8	4	13	4	30	4	40	4
10								4	16	4	35	4	50	4	
—								—	18	4	40	4	60	4	
—								—	20	4	—	—	—	—	
—	—	25	4	—	—	—	—								
Air source heat pump	Not available		Not available		Not available		5	4	10	4	Not available		Not available		
							8	4	13	4					
							10	4	16	4					
							—	—	18	4					
							—	—	20	4					
—	—	25	4												
No cooling	Option	Option	Option	Option	Option	Option	Option	Option	Option	Option	Option	Option	Option		
COOLING COMPONENTS	Digital Scroll™ compressor	Standard	Standard	N/A		Standard	Standard	Standard	Standard	Standard	Standard	Standard	Standard		
	Inverter scroll compressor <sup>b</sup>	Option	Option	Standard		Option	Option	Option	Option	Option	Option	Option	Option		
	Compressor(s) modulation range <sup>c</sup>	12-100%	6-100%	21-100%		12-100%	6-100%	3-100%	3-100%						
	Modulating hot gas reheat	Option	Option	Option		Option	Option	Option	Option						
	Space between coils	6" with removable cover	6" with removable cover	6" (open for cleaning)		6" (open for cleaning)	6" (open for cleaning)	6" (open for cleaning)	6" (open for cleaning)						
	Staged AC condensing fans	Standard	Standard	Not available		Standard	Standard	Standard	Standard						
	Modulating EC condensing fans <sup>d</sup>	EC lead fan option	EC lead fan option	Standard		Option	Option	Option	Option						

# VALENT UNITS AT A GLANCE

		VX, VXE CASING		VPR, VPRX, VPRE, VPRP, VPRC CASING				
		112	212	V10	110	210	310	352
INDIRECT GAS FURNACE	Minimum (MBh)	100	300	75	100	200	400	600
	Maximum (MBh)	300	500	200	200	400	800	1,200
	Turndown (NG)	Up to 16:1	Up to 16:1	Up to 10:1	Up to 10:1	Up to 10:1	Up to 10:1	Up to 10:1
	Turndown (LP)	Up to 16:1	Up to 16:1	Up to 6:1	Up to 6:1	Up to 6:1	Up to 6:1	Up to 6:1
ELECTRIC HEAT	Minimum (kW)	15	35	Not available	10	15	40	50
	Maximum (kW)	60	120	Not available	50	125	150	200
	SCR modulation	Standard	Standard	Not available	Standard	Standard	Standard	Standard
OTHER HEAT	Hot water	Option	Option	Not available	Option	Option	Option	Option
	Temperator	Not available	Not available	Not available	Option	Option	Option	Not available
	Steam coil	Not available	Not available	Not available	Option	Option	Option	Option
ENERGY RECOVERY	Enthalpy wheel Polymer, silica gel desiccant	Option, bypass available	Option, bypass available	Not available	Option	Option	Option	Option
	Enthalpy wheel Aluminum, molecular sieve desiccant	Not available	Not available	Not available	Option	Option	Option	Option
	Enthalpic core	Not available	Not available	Not available	Option, bypass available	Option, bypass available	Option, bypass available	Option, bypass available
	Flat plate Aluminum	Not available	Not available	Not available	Option, bypass available	Option, bypass available	Option, bypass available	Option, bypass available
CONTROLS	Full controls Carel platform	Standard	Standard	Standard	Standard	Standard	Standard	Standard
	Controls Lite Carel platform	Not available	Not available	Not available	Option	Option	Option	Option
	No controls <sup>e</sup>	Option	Option	Not available	Option	Option	Option	Option
CONSTRUCTION	Insulation	2" double-wall R-13	2" double-wall R-13	2" double-wall R-13	2" double-wall R-13	2" double-wall R-13	2" double-wall R-13	2" double-wall R-13
	Exterior	Gray prepainted, sloped roof	Gray prepainted, sloped roof	Gray prepainted, sloped roof	Gray prepainted, sloped roof	Gray prepainted, sloped roof	Gray prepainted, sloped roof	Gray prepainted, sloped roof
	Interior	Galvanized	Galvanized	Galvanized or stainless steel	Galvanized or stainless steel	Galvanized or stainless steel	Galvanized or stainless steel	Galvanized or stainless steel
CERT.	AHRI 1060	Certified <sup>f</sup>	Certified <sup>f</sup>	Not available	Certified <sup>g</sup>	Certified <sup>g</sup>	Certified <sup>g</sup>	Certified <sup>g</sup>
	ASHRAE 90.1-2013	Compliant	Compliant	Compliant	Compliant	Compliant	Compliant	Compliant
DUCT	Supply	Bottom or side						
	Return	Bottom or side						
POWER	Voltage, phase, frequency	208, 230, 460, or 575 V, 3-phase, 60 Hz input, single-point power, phase and voltage monitoring See restrictions noted above and in the notes below for 575 V with EC motors.						

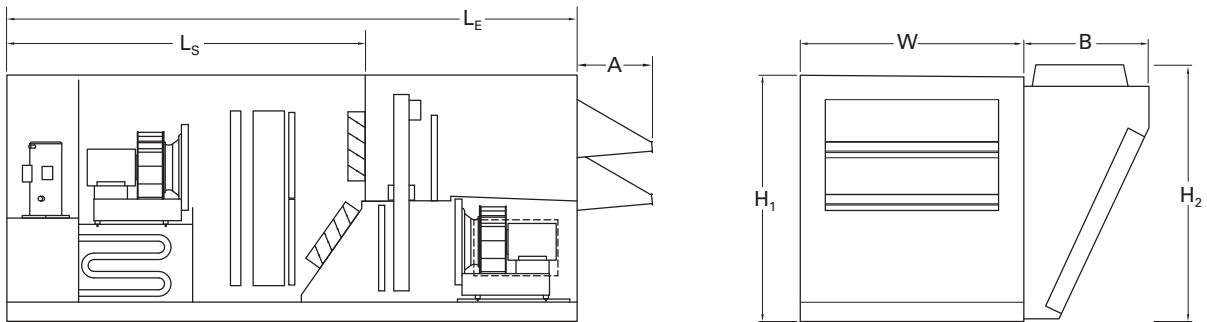
Refer to Valent CAPS® selection software or the Valent Mechanical IOM for additional detail.  
a Not available on 575 V units with EC condensing fans  
b Not available on 575 V VPR/X/E/P/C units  
c Modulation range based on Digital Scroll™ compressor(s). Inverter scroll modulation range may differ.  
d Not available on 575 V VPR/X/E/P/C units  
e Chilled water only  
f AHRI 1060-certified when equipped with enthalpy wheel  
g AHRI 1060-certified when equipped with enthalpy wheel or enthalpic core heat exchanger

## DIMENSIONS AND WEIGHTS



Valent VXE-112

### Elevations



DIMENSIONS (inches), WEIGHTS (pounds)									
		Height		Width	VX length	VXE length	Hood length	Condenser width	Nominal weight
		H <sub>1</sub>	H <sub>2</sub>	W	L <sub>S</sub>	L <sub>E</sub>	A	B	VX/VXE
CASING	112	60.2	65.9	52.5	98.6	149.5	22.1	33.9	2700/3400
	212	73.1	76.2	68.2	109.0	163.2	27.1	30.1	4500/5100



**OUTDOOR AIR EXPERTS**  
**ROBUST DESIGNS**  
**DEDICATED SUPPORT**

valentair.com

© 2018 Valent. Continuous product improvement is a Valent policy; therefore, product features and specifications may change without notice.

VX BROCHURE 120518